

# Light Industrial Panel PC

**New**

## 7"~15.6" Light Industrial Interactive Panel PC

### Features

- 7"~15.6" light industrial interactive panel PC
- 9 V ~ 30 V wide range DC input with lockable DC jack
- Selectable AT/ATX power mode
- Built-in speakers
- One mSATA slot
- IP64/IP65 compliant front panel
- IEI One Key Recovery solution allows you to create rapid OS backup and recovery (suggested with over 4GB storage capacity)



### Specifications

	<b>Fanless</b>	<b>Fanless</b>	<b>Fanless</b>
<b>Model</b>	<b>AFL3-W07A-BT-R10</b>	<b>AFL3-W10A-BT-R10</b>	<b>AFL3-12A-BT-R10</b>
Size	7"	10.1"	12.1"
Resolution	1024 x 600 (16:9)	1280 x 800 (16:10)	1024 x 768 (4:3)
Brightness (cd/m <sup>2</sup> )	500	350	500
Contrast Ratio	700:1	800:1	700:1
LCD Color	16.2M	16.2M	16.2M
Pixel Pitch (mm)	0.0635 (H) x 0.1905 (V)	0.1695 (H)x0.1695 (V)	0.240 (H) x 0.240 (V)
Viewing Angle (H-V)	150° / 145°	170° / 170°	160° / 160°
Backlight MTBF(hrs)	20000 hrs	15000 hrs	50000 hrs
Touch Screen	Projected capacitive type	Projected capacitive type	5-wire resistive touch window/ projected capacitive type
Touch Controller	EETI EXC7200	EETI EXC7200	PenMount DMC9000/ EETI EXC7200
CPU	Intel® Celeron® N2807 (dual core, 1.58 GHz)	Intel® Celeron® J1900 (quad core, 2.0 GHz)	Intel® Celeron® J1900 (quad core, 2.0 GHz)
RAM	2GB DDR3L onboard RAM/ 4GB DDR3L onboard RAM	One 204-pin 2 GB 1333MHz single-channel ,2GB DDR3L SDRAM pre-installed (system max. 8GB)	One 204-pin 2 GB 1333MHz single-channel ,2GB DDR3L SDRAM pre-installed (system max. 8GB)
Ethernet	2 x PCIe GbE by RTL8111E controller	2 x PCIe GbE by RTL8111E controller	2 x PCIe GbE by RTL8111E controller
Audio Codec	ALC892	ALC892	ALC892
Storage	mSATA	mSATA	mSATA 2.5" SATA 3Gb/s HDD bay
Input / Output	2 x RS-232 COM port (DB-9 connector) 2 x USB 3.0 2 x GbE LAN 1 x Power switch 1 x Reset button 1 x AT/ATX switch 1 x 9-30V Lockable power jack	1 x RS-232 COM port (RJ-45 connector) 1 x RS-232/422/485 COM port (DB-9 connector) (R1/5V/12V) 2 x USB 3.0 2 x USB 2.0 2 x RJ-45 for GbE LAN 1 x Power switch 1 x Audio port (line-out) 1 x Reset button 1 x AT/ATX switch 1 x 9-30V DC Lockable power jack	1 x RS-232 COM port (RJ-45 connector) 1 x RS-232/422/485 COM port (DB-9 connector) (R1/5V/12V) 2 x USB 3.0 2 x USB 2.0 2 x RJ-45 for GbE LAN 1 x Power switch 1 x Audio port (line-out) 1 x Reset button 1 x AT/ATX switch 1 x 9-30V Lockable power jack
Audio	AMP 2W (internal speaker, left channel output)	AMP 2W + 2W (internal speaker)	AMP 3W + 3W (internal speaker)
Camera and Microphone	N/A	2-megapixel with low light function, digital microphone	2-megapixel with low light function, digital microphone
OSD Function	Software OSD		
Thermal Solution	Fanless		
Wireless	IEEE 802.11a/b/g/n/ac	IEEE 802.11a/b/g/n/ac	IEEE 802.11a/b/g/n/ac
Front Panel Construction	PC + ABS Plastic	PC + ABS Plastic	PC + ABS Plastic
Mounting	Panel, Wall, Stand, Arm VESA 75mm x 75mm	Panel, Wall, Stand, Arm VESA 75mm x 75mm	Panel, Wall, Rack, Stand and Arm VESA 75mm x 75mm / 100mm x 100mm
Color	Black C		
Dimensions (WxHxD) (mm)	191 x 127 x 43	262 x 181 x 42	303 x 243 x 44
Cut-out Dimensions (WxH) (mm)	182 x 111	236 x 150	243 x 204
Operating Temperature (°C) (Ambient with air flow)	-20°C~50°C	-10°C~50°C	-20°C~50°C
Storage Temperature (°C)	-20°C~60°C	-20°C~60°C	-20°C~60°C
Humidity	10% to 95% (non-condensing)		
IP Level	IP 65 compliant front panel	IP 64 compliant front panel	IP 64 compliant front panel
Safety&EMC	CE / FCC		
Power Requirement	9 V ~ 30 V		
Power Consumption	12V@2.17A (Intel® J1900 CPU with 2GB 1333 MHz DDR3L memory)	12V@2.3A (Intel® J1900 CPU with 2GB 1333 MHz DDR3L memory)	12V@3.58A (Intel® J1900 CPU with 2GB 1333 MHz DDR3L memory)

# AFL3-W15A-BT

Intel® Celeron® J1900 Quad Core 2 GHz



# AFL3-W15B-H81

Intel® Core™ i7/i5/i3, Pentium® and Celeron®



## Features

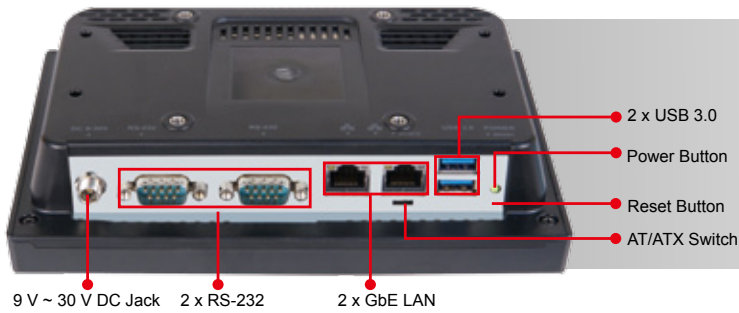
- W15" light industrial interactive panel PC
- 9 V ~ 30 V wide range DC power input
- Selectable AT/ATX power mode
- Built-in speakers
- One mSATA slot
- IP64 compliant front panel
- IEI One Key Recovery solution allows you to create rapid OS backup and recovery (suggested with over 4GB storage capacity)

## Specifications



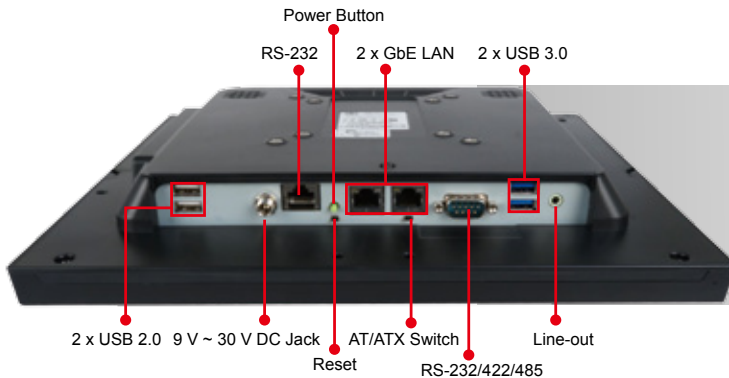
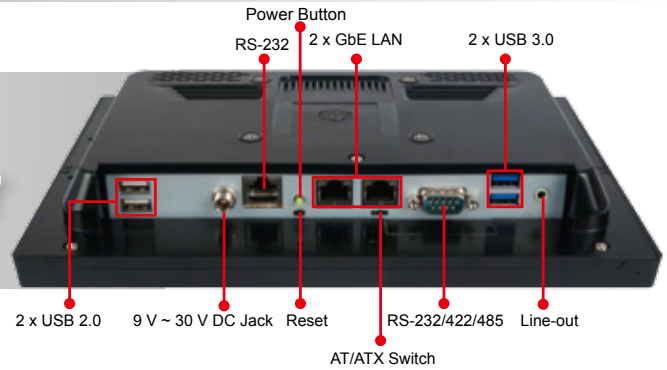
Model	AFL3-W15A-BT-R10	AFL3-W15B-H81-R10
Size	15.6"	
Resolution	1366 x 768 (16:9)	
Brightness (cd/m <sup>2</sup> )	300	
Contrast Ratio	700:1	
LCD Color	16.7M	
Pixel Pitch (mm)	0.240 (H) x 0.240 (V)	
Viewing Angle (H-V)	160° / 160°	
Backlight MTBF (hrs)	50000 (LED backlight)	
Touch Screen	5-wire resistive type with RS-232 interface / projected capacitive type with USB interface	
Touch Controller	PenMount DMC9000/ EETI EXC7200	PenMount DMC9000 / EETI EXC7200
CPU	Intel® Celeron® J1900 (quad core, 2 GHz)	Intel® Core™ i7/i5/i3, Pentium®, Celeron® processor (TDP 35W)
Chipset	N/A	Intel® H81
RAM	One 204-pin 1333MHz single-channel DDR3L SDRAM, 2GB pre-installed (system max. 8GB)	Two 204-pin 1333MHz single-channel DDR3L SDRAM, 4GB pre-installed (system max. 16GB)
Ethernet	2 x PCIe GbE by RTL8111E controller	
Audio Codec	ALC892	
Storage	mSATA 2.5" SATA 3Gb/s HDD bay	
Input / Output	1 x RS-232 COM port (RJ-45 connector) 1 x RS-232/422/485 COM port (DB-9 connector) (RI/5V/12V) 2 x USB 2.0 2 x USB 3.0 2 x GbE LAN 1 x Power switch 1 x Reset button 1 x AT/ATX switch 1 x Audio port (line-out) 1 x 9-30V Lockable power jack	1 x RS-232 COM port (DB-9 connector) 1 x RS-232/422/485 COM port (DB-9 connector) (RI/5V/12V) 2 x GbE LAN 4 x USB2.0 2 x USB3.0 1 x HDMI output 1 x Power switch 1 x Reset button 1 x AT/ATX switch 1 x Audio port (line-out) 1 x 9-30V Lockable power jack
Audio	AMP 3W + 3W (internal speakers)	
Camera and Microphone	2-megapixel with low light function, digital microphone	
OSD Function	Software OSD	Software OSD
Thermal Solution	Fanless	Smart Fan
Wireless	IEEE 802.11a/b/g/n/ac	
Bluetooth	N/A	Bluetooth v4.0
Front Panel Construction	PC + ABS Plastic	
Mounting	Panel, Wall, Rack, Stand and Arm VESA 75mm x 75mm / 100mm x 100mm	Panel, Wall, Rack, Stand and Arm VESA 75mm x 75mm / 100mm x 100mm
Color	Black C	
Dimensions (WxHxD) (mm)	396 x 250 x 53	396 x 250 x 59
Cut-out Dimensions (WxH) (mm)	273 x 226	369 x 226
Operating Temperature (°C) (Ambient with air flow)	-20°C~50°C	
Storage Temperature (°C)	-20°C~60°C	
Humidity	10% to 95% (non-condensing)	
IP Level	IP 64 compliant front panel	
Safety & EMC	CE / FCC	
Power Requirement	9 V ~ 30 V	
Power Consumption	12V@4.16A (Intel® J1900 CPU with 2GB 1333 MHz DDR3 memory)	12V@6.33A (Intel® Pentium® G3320TE CPU with 4GB 1333 MHz DDR3L memory)

Rich I/O Interface



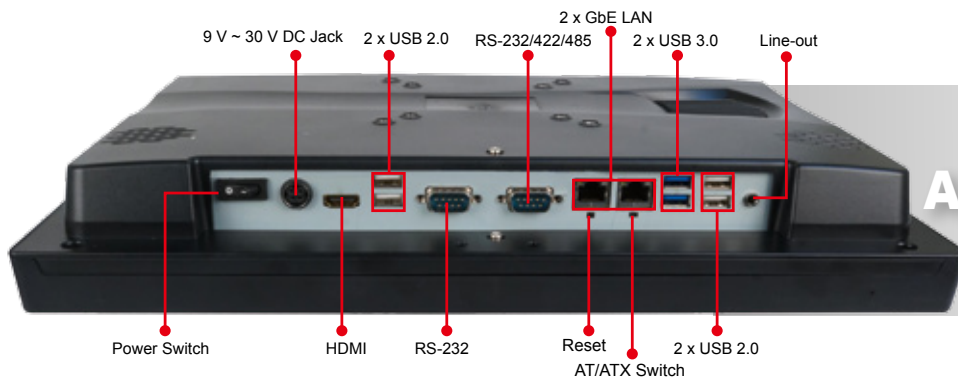
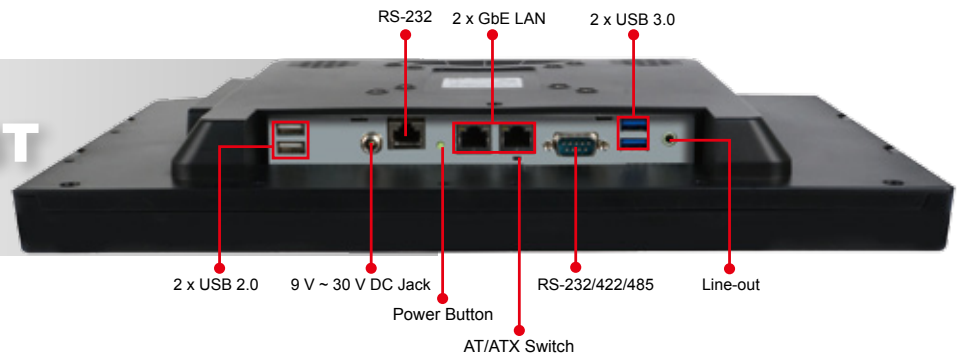
**AFL3-W07A-BT**

**AFL3-W10A-BT**

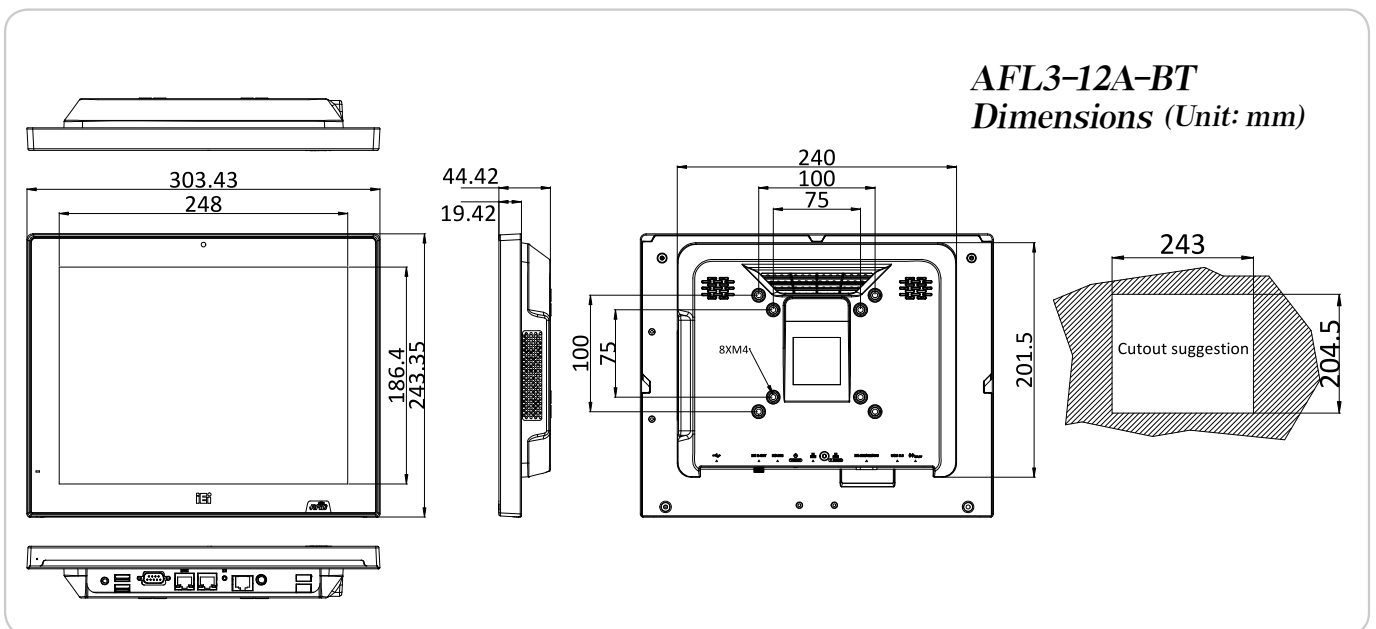
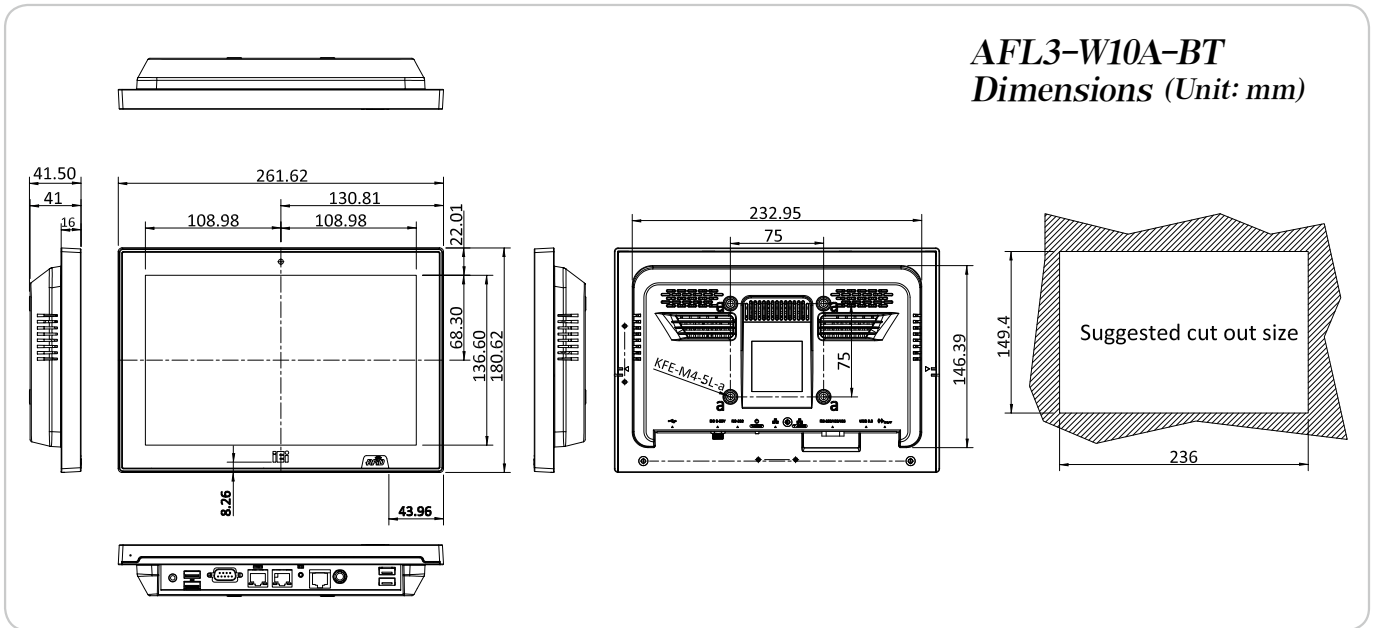
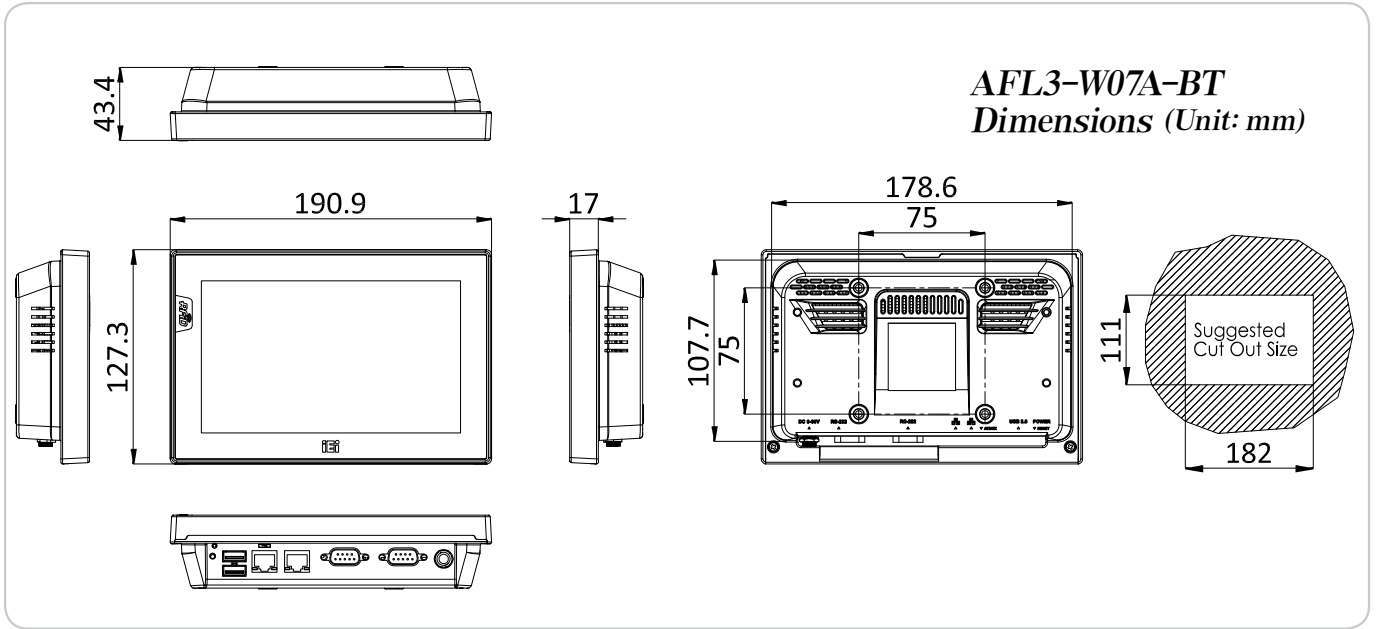


**AFL3-12A-BT**

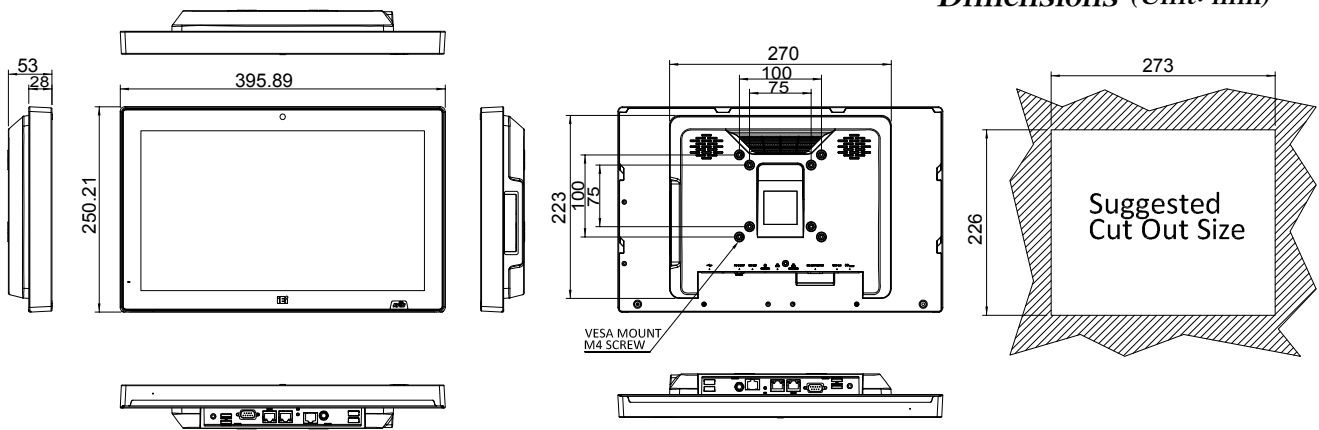
**AFL3-W15A-BT**



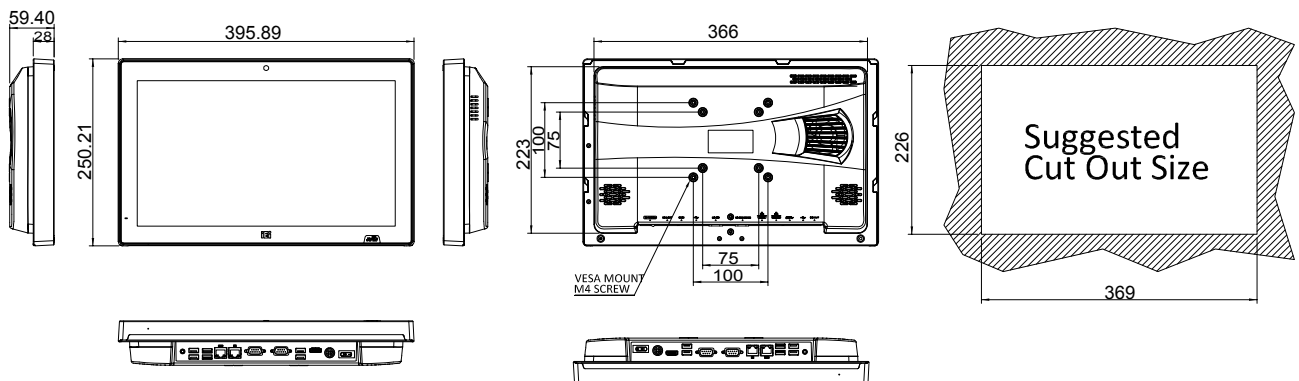
**AFL3-W15B-H81**



**AFL3-W15A-BT**  
Dimensions (Unit: mm)



**AFL3-W15B-H81**  
Dimensions (Unit: mm)



**Packing List**

Item	Part No.	Q'ty	Description
One Key Recovery DVD	7B000-001083-RS	1	
Setting kit	46003-002600-RS (W07A-BT)	2	
Round head machine screw	44003-020041-RS (W07A-BT/12A-BT)	2	M2*4 round head machine screw
	44003-020041-RS (W15A-BT/15B-H81)	4	M2*4 round head machine screw
Pan head machine screw	44403-040061-RS	4	M4*6 pan head machine screw
Fix holder	46003-009500-RS	2	
Power cord	32702-000400-200-RS (W07A-BT)	1	
	32702-000200-100-RS	1	
Power adapter	63040-010036-121-RS (W07A-BT)	1	36W; Vin: 90V~264V AC; Vout: 12VDC; $\Phi 2.5/\Phi 5.5$ /lock
	63040-010060-120-RS (12A-BT/W15A-BT)	1	60W; Vin: 90V~264V AC; Vout: 12VDC; $\Phi 2.5/\Phi 5.5$ /lock
	63040-010096-100-RS (W15B-H81)	1	96W; Vin: 90V~264V AC; Vout: 12VDC; 4-pin DIN with lock
Driver CD		1	
RJ-45 to DB-9 COM port transfer cable	32005-000200-200-RS (12A-BT/W15A-BT)	1	300mm, 26AWG, (A) D-SUB 9 male, (B) RJ-45
Touch pen	43125-0002C0-00-RS	1	Resistive touch screen only

## Options

Item	AFL3-W07A-BT	AFL3-W10A-BT	AFL3-12A-BT	AFL3-W15A-BT	AFL3-W15B-H81
Panel Mounting Kit	AFL3PK-W07A-R10	AFL3PK-W07A-R10	AFL3PK-W07A-R10	AFL3PK-W07A-R10	AFL3PK-W07A-R10
Wall Mounting Kit	AFLWK-12	AFLWK-12	AFLWK-19B	AFLWK-19B	AFLWK-19B
Rack Mounting Kit	AFL3RK-W07A-R10	AFL3RK-W10A-R10	AFL3RK-12A-R10	AFL3RK-W15A-R10	AFL3RK-W15B-R10
Arm	ARM-11-RS/ARM-31-RS	ARM-11-RS/ARM-31-RS	ARM-11-RS/ARM-31-RS	ARM-11-RS/ARM-31-RS	ARM-11-RS/ARM-31-RS
Stand	STAND-B08/STAND-100-RS	STAND-A12-RS/STAND-C12-R10/STAND-100-RS	STAND-A12-RS/STAND-C12-R10/STAND-100-RS	STAND-A21-R10/ STAND-210-R11/STAND-A19-RS/STAND-C19-R10	STAND-A21-R10/ STAND-210-R11/STAND-A19-RS/STAND-C19-R10
V-Stand	VSTAND-A07-R11	VSTAND-A10-R11	VSTAND-A12-R11	N/A	N/A
1D/2D Barcode Scanner	AFL3P-W7MSR-U-R10	AFL3P-W10MSR-U-R10	AFL3P-12MSR-U-R10	AFL3P-12MSR-U-R10	AFL3P-12MSR-U-R10
Barcode Scanner	N/A	AFL3-2D-R10	AFL3-2D-R10	AFL3-2D-R10	AFL3-2D-R10
RFID Reader (13.56 MHz Mifare Type) (For ATO assembly)	AFL3-MF-RFID-KIT01-R10	AFL3-MF-RFID-KIT02-R10*	AFL3-MF-RFID-KIT02-R10*	AFL3-MF-RFID-KIT02-R10*	AFL3-MF-RFID-KIT02-R10
OS: Win 7 Embedded	AFL3-W07A-BT-WES7P-R10	AFL3-W07A-BT-WES7P-R10	AFL3-W07A-BT-WES7P-R10 (for PCAP touch) AFL3-W07A-BT-WES7E-R10 (for Resistive touch)		AFL3-W15B-H81 WES7P64-R10 (for PCAP touch) AFL3-W15B-H81 WES7E64-R10 (for Resistive touch)
OS: Win 8 Embedded	AFL3-W07A-BT-WE8S-R10				AFL3-W15B-H81-WE8S-R10

\*RFID support after AFL3-xxA-BT R11 version



## Ordering Information

### ● Intel® Celeron® Platform

Part No.	Description
AFL3-W07A-BT-N1/PC/2G-R10	7" 500 cd/m <sup>2</sup> 1024 x 600 HD fanless panel PC with Intel® Celeron® N2807 dual core 1.58 GHz, 802.11a/b/g/n/ac, projected capacitive touch screen, on-board 2GB DDR3L RAM, R10
AFL3-W07A-BT-N1/PC/4G-R10	7" 500 cd/m <sup>2</sup> 1024 x 600 HD fanless panel PC with Intel® Celeron® N2807 dual core 1.58 GHz, 802.11a/b/g/n/ac, projected capacitive touch screen, on-board 4GB DDR3L RAM, R10
AFL3-W10A-BT-J1/PC/2G-R10	10.1" 350cd/m <sup>2</sup> 1280 x 800 fanless panel PC with Intel® Celeron® J1900 quad core 2 GHz, 802.11 a/b/g/n/ac, projected capacitive touch screen, 2GB DDR3L RAM, 2-megapixel camera, microphone, R10
AFL3-12A-BT-J1/PC/2G-R10	12.1" 500 cd/m <sup>2</sup> XGA fanless panel PC with Intel® Celeron® J1900 quad core 2 GHz, 802.11a/b/g/n/ac, projected capacitive touch screen, 2GB DDR3L RAM, 2-megapixel camera, microphone, R10
AFL3-12A-BT-J1/R/2G-R10	12.1" 500 cd/m <sup>2</sup> XGA fanless panel PC with Intel® Celeron® J1900 quad core 2 GHz, 802.11a/b/g/n/ac, resistive touch screen, 2GB DDR3L RAM, 2-megapixel camera, microphone, R10
AFL3-W15A-BT-J1/PC/2G-R10	Wide 15.6" 300 cd/m <sup>2</sup> 1366 x 768 fanless panel PC with Intel® Celeron® J1900 quad core 2 GHz, 802.11a/b/g/n/ac, projected capacitive touch screen, 2GB DDR3L RAM, 2-megapixel camera, microphone, R10
AFL3-W15A-BT-J1/R/2G-R10	Wide 15.6" 300 cd/m <sup>2</sup> 1366 x 768 fanless panel PC with Intel® Celeron® J1900 quad core 2 GHz, 802.11a/b/g/n/ac, resistive touch window, 2GB DDR3L RAM, 2-megapixel camera, microphone, R10

### ● Intel® H81 Platform

Part No.	Description
AFL3-W15B-H81-P/R/4G-R10	Wide 15.6" 300 cd/m <sup>2</sup> 1366 x 768 panel PC with Intel® H81 chipset, Intel® Pentium® G3320TE dual-core processor (2.3 GHz), TDP 35W, two 2GB DDR3 RAM, 802.11a/b/g/n/ac, resistive touch screen, 2-megapixel camera, microphone, R10
AFL3-W15A-H81-i3/R/4G-R10	Wide 15.6" 300 cd/m <sup>2</sup> 1366 x 768 panel PC with Intel® H81 chipset, Intel® Core™ i3-4330TE dual-core processor (2.4 GHz), TDP 35W, two 2GB DDR3 RAM, 802.11a/b/g/n/ac, resistive touch screen, 2-megapixel camera, microphone, R10
AFL3-W15A-H81-i5/R/4G-R10	Wide 15.6" 300 cd/m <sup>2</sup> 1366 x 768 panel PC with Intel® H81 chipset, Intel® Core™ i5-4570TE dual-core processor (2.7 GHz), TDP 35W, two 2GB DDR3 RAM, 802.11a/b/g/n/ac, resistive touch screen, 2-megapixel camera, microphone, R10
AFL3-W15B-H81-P/PC/4G-R10	Wide 15.6" 300 cd/m <sup>2</sup> 1366 x 768 panel PC with Intel® H81 chipset, Intel® Pentium® G3320TE dual-core processor (2.3 GHz), TDP 35W, two 2GB DDR3 RAM, 802.11a/b/g/n/ac, PCAP touch screen, 2-megapixel camera, microphone, R10
AFL3-W15B-H81-i3/PC/4G-R10	Wide 15.6" 300 cd/m <sup>2</sup> 1366 x 768 panel PC with Intel® H81 chipset, Intel® Core™ i3-4330TE dual-core processor (2.4 GHz), TDP 35W, two 2GB DDR3 RAM, 802.11a/b/g/n/ac, PCAP touch screen, 2-megapixel camera, microphone, R10
AFL3-W15B-H81-i5/PC/4G-R10	Wide 15.6" 300 cd/m <sup>2</sup> 1366 x 768 panel PC with Intel® H81 chipset, Intel® Core™ i5-4570TE dual-core processor (2.7 GHz), TDP 35W, two 2GB DDR3 RAM, 802.11a/b/g/n/ac, PCAP touch screen, 2-megapixel camera, microphone, R10