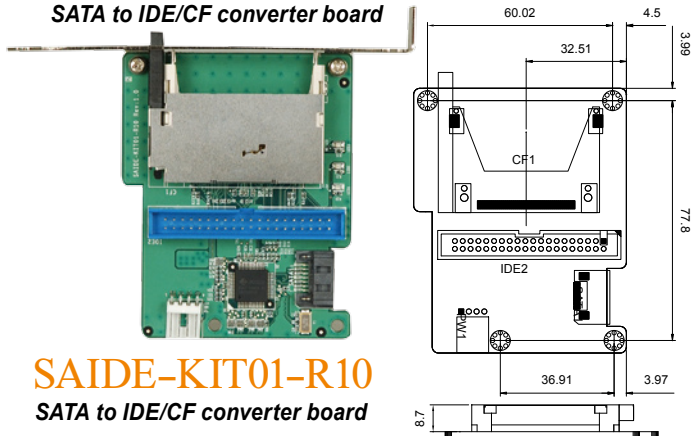


SATA to IDE/CF Type II Carry Board

SATA to IDE/CF converter board



SAIDE-KIT01-R10

SATA to IDE/CF converter board

Features

1. CF Type II socket
2. 40-pin IDE connector (master mode)
3. 4-pin 5V input connector
4. Power/5V/HDD LED indicator
5. Support one IDE device or one CF

Packing List

1 x SAIDE-KIT01-R10	1 x Power cable (P/N:32100-171800-RS)	1 x QIG
---------------------	---------------------------------------	---------

Ordering Information

SAIDE-KIT01-R10	SATA to 40-pin IDE/CF socket converter board with bracket
32000-062800-RS	SATA cable
32102-000100-100-RS	SATA power cable
32102-000100-200-RS	SATA power cable
32100-064401-RS	Power cable



32100-064401-RS

IDE/ CF Type II Carry Board



CF-KIT04-R10

IDE to CFII Carry board with master/slave mode selection

Features

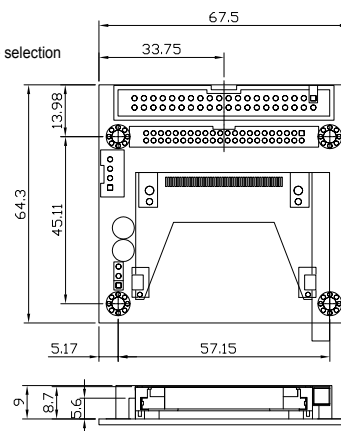
1. CF Type II socket with Master / Slave mode selection
2. 4-pin power connector
3. Power/ HDD signal LED

IEI CF Solution



ICF1000 Industrial standard grade

ICF1000 Wide Temp. grade



SATA to CF Type II Carry Board

SATA to CF converter board



SACF-KIT01-R10

SATA to CF converter board

Features

1. CF Type II socket
2. 50-pin CF Type II connector

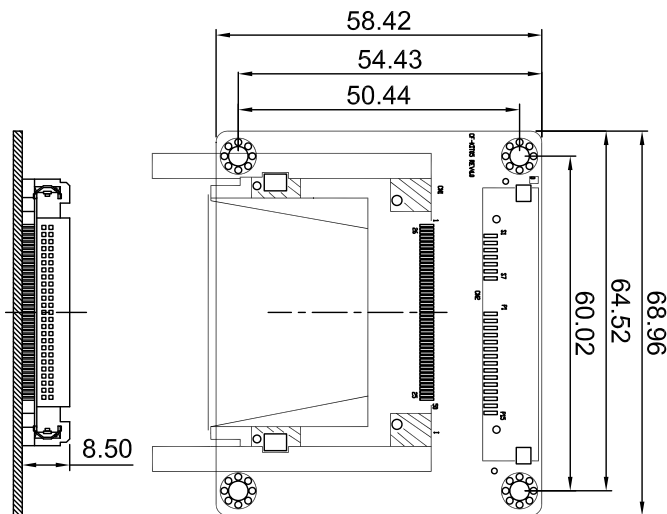
Packing List

1 x SACF-KIT01-R10
1 x SATA with power cable kit (P/N: 32801-000100-100-RS)
1 x QIG



32801-000100-100-RS

Dimensions (mm)



Ordering Information

Part No.	Description
SACF-KIT01-R10	SATA to 50-pin CF socket converter board
45015-000400-RS	CF type II cover with right side ejector